

PowerHone E

precise/efficient/versatile

pioneering the way forward in honing with the advanced iHone software



PowerHone E

iHone Technology



Welcome to the delapena group

delapena group are leading honing specialists in the UK and around the world.

We design and manufacture a wide range of standard and bespoke honing machines, tooling and abrasives for the Automotive, Aerospace and other manufacturing sectors.

Our services include application development, bespoke tooling design, process engineering, tooling refurbishment, maintenance, consultancy and training.



Contents

Page 3 - Introducing the PowerHone E

Page 4 - Features & benefits

Page 5 - Floor plan

Page 6 - Technical specifications

Page 7 - Intelligent honing

Page 8 - delapena brings you iHone technology

Page 9- delapena, your complete honing supplier

Page 10 - The wider range

Introducing the PowerHone E

Developed by delapena`s expert engineers, this machine joins our suite of electronically controlled state-of-the-art honing machines.

The PowerHone E is a vertical honing machine for large and heavy components in small to medium size batches and prototypes. Designed for both through and blind bores, producing an excellent surface finish.

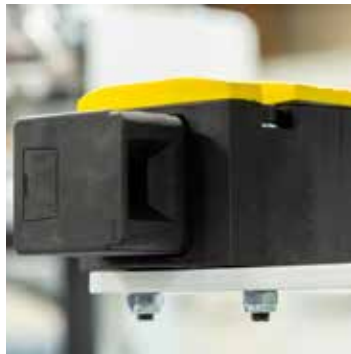
precise/efficient/versatile

The PowerHone E offers precision with a powerful electric actuator.

Sturdy machine design, accurate and repeatable stroking movement, the capacity to short stroke at any position and a bore diameter range from 25.4 mm all combine to provide a versatile honing solution for a wide variety of applications.



iHone is delapena`s icon based software providing the operator with a conversational touchscreen interface. Featuring clear graphics for quickly and easily defining honing parameters.



Introducing the PowerHone E

Feature & benefits

With a diameter range from 25.4mm to 740mm and a massive stroke length of up to one metre the PowerHone E is honing at it`s most versatile.

Fully programmable rotation speeds up to 250rpm & reciprocation speeds of up to 30m/min.

Programs can be stored for later recall facilitating minimum set up time for repeat work.

With fully interlocking safety enclosure the PowerHone E is both operator friendly and health & safety compliant.

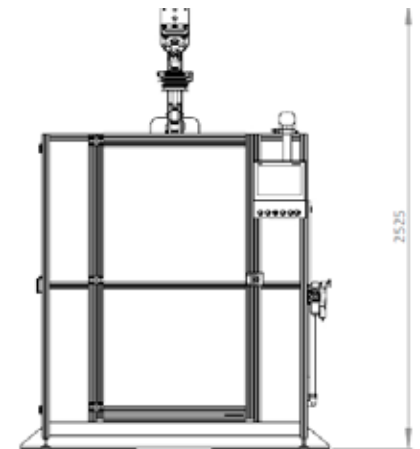
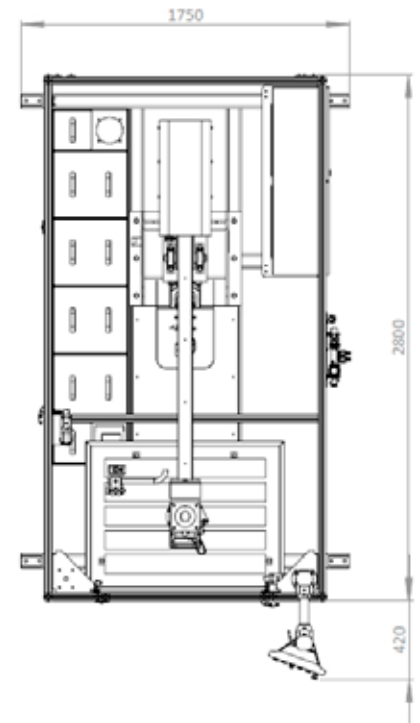
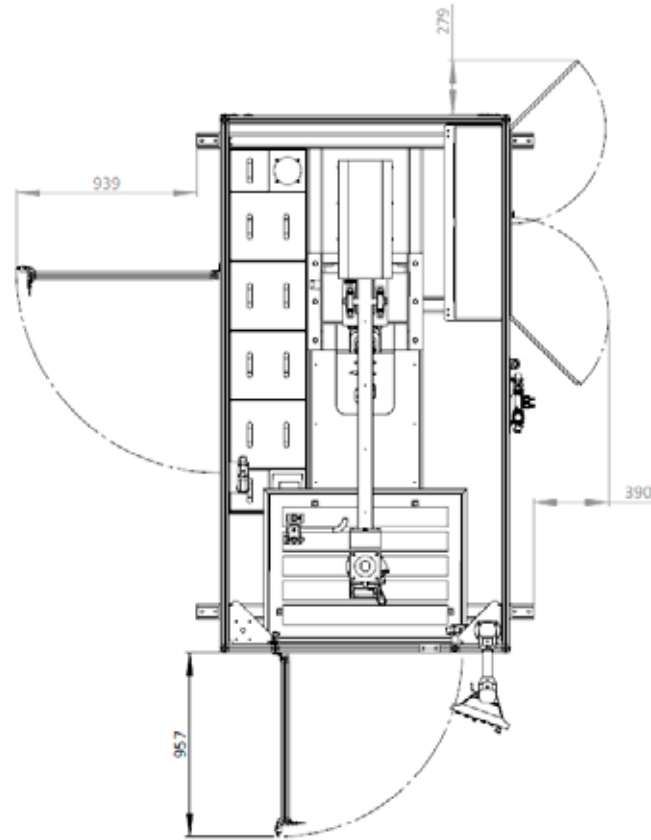
Cutting edge Siemens technology combined with a fully linear actuator allows for greater functionality.

Compact and space saving with an integrated work table and coolant tank with magnet and cartridge filtering system.

PowerHone E

Floor plan

precise
efficient
versatile



pioneering the way forward in honing

PowerHone E

Technical specifications

Capacity

Maximum external diameter - 740mm
Maximum reciprocation length - 1000mm
Honing length guide - diameter dependent
Diameter Maximum honing length
25.4mm - 400mm
31.8mm - 520mm
38.1mm - 604mm
44.5mm - 660mm
50.8mm - 750mm
57.1mm - 812mm
68.0mm - 1000m

Motors

Rotation speed up to 250rpm
Rotation power 4kW
Reciprocation speed up to 30m/min
Reciprocation power 2.2kW

Control

SIMATIC HMI TP1200 Comfort Pro

Expansion System

delapena automatic friction feed system
Incoming Air Supply (min) - 5 bar/72 psi
Incoming Air Supply (max) - 9 bar/130 psi

Electrical System

Conformity - UKCA/CE/UL
Voltage - 400 - 480 VAC
Control Voltage - 24 VDC
Frequency - 50 - 60HZ
Connected Load - 32 A

Coolant System

Tank capacity -60 litre fluid tank with magnetic filtering.
Option -30L/min Paper media filtration

intelligent honing

delapena brings you iHone; a graphical icon based machine interface designed to simplify the process of programming our honing machines. Using Siemen`s touchscreen technology we now offer a conversational style interface that is easy to use, but still packed with features.

Much of our honing knowledge and best practices are baked into the iHone system, included are on-screen help pages enabling the operator to diagnose geometry and finish issues on the machine. The controller allows for extensive program storage enabling fast setup of repeat work maximising productivity.



intelligent honing

Large icon based function keys allow you to modify honing data on the fly and access in-process features.

In process monitors allows you to determine machine status at a glance from motor torques to cycle-time monitors.

Programs can be stored for later recall facilitating minimum set up time for repeat work.

Parameters are entered in a logical order and all pages accompanied by clear graphics to highlight the effect of each parameter.

The lower panel contains primary functions such as cycle time, mode select & emergency stop buttons.

All this is facilitated by a Seimens touchscreen panel that can be maneuvered to suit the operator.



delapena

complete honing supplier

Tooling

At delapena we design, manufacture and supply a wide range of honing tools for our own machines as well as specialist fittings for many other manufactures machines. We also provide a range of manual held tooling.

Tooling Refurbishment

Our honing tool refurbishment service covers all aspects of the tooling from full refurbishment of the honing tool to manufacturing new tools and spares.

delapena refurbishes honing tools for Automotive OEMs and has recently been extensively expanded to cope with the new demand.

Currently the department services Gehrung, Nagel and Diahone tools..

Sintering

delapena sintered products is the UK`s specialist research and development facility for the honing market, producing specific super abrasives for customers` applications.

In a state-of-the-art production facility, first class standards are applied throughout the entire process, with complete traceability, from mixing and dosing powders to specialist sintering and quality control.



PrecisionHone

flagship/advanced/accurate

Our flagship machine, the PrecisionHone is a vertical honing machine for production honing of small parts. Accurate and packed with features, for large batch work and tight tolerances the PrecisionHone is the machine of choice. Now featuring our iHone technology; enabling ease of use and fast set up.



TubeHone

dynamic/commanding/dominant

The TubeHone is the ideal machine for cylinders up to 4m in length. Our standard TubeHone hones up to 650mm bores, with bespoke options up to 1m. Powerful motors and a belt drive system ensure rapid stock removal.



ForceHone

rapid/powerful/robust

The ForceHone is the big brother to the SpeedHone, featuring faster drives and more powerful motors for small to medium parts and increased productivity gains.



The wider range

Selection of new generation honing machines

Our range of honing machines are user-friendly and versatile, producing consistently high-quality results. delapena honing machines feature control systems that allow for easy setup and storage of programs, with our iHone software making this easier than ever before on our range of new flagship machines.

delapena honing machines can be found in businesses all over the world. We provide comprehensive support, training, and guidance throughout commissioning and beyond.



delapena
group

iHone Technology



sales@delapena.co.uk

www.delapena.co.uk

0044 1242 516341